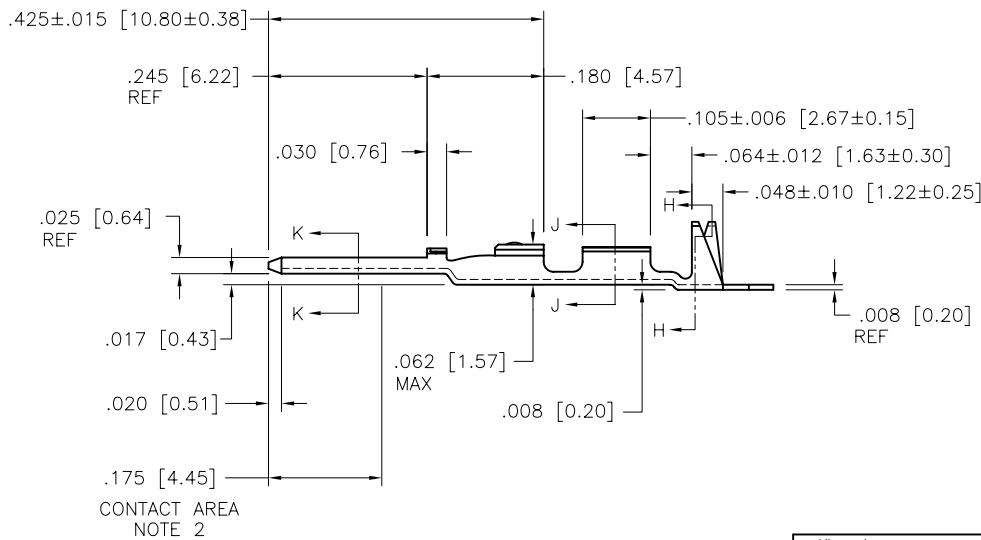
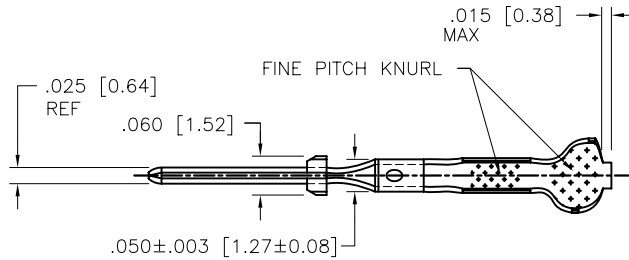
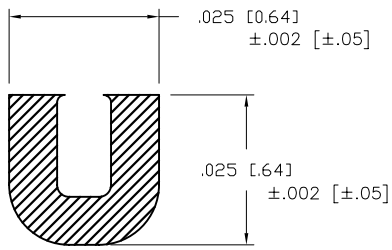
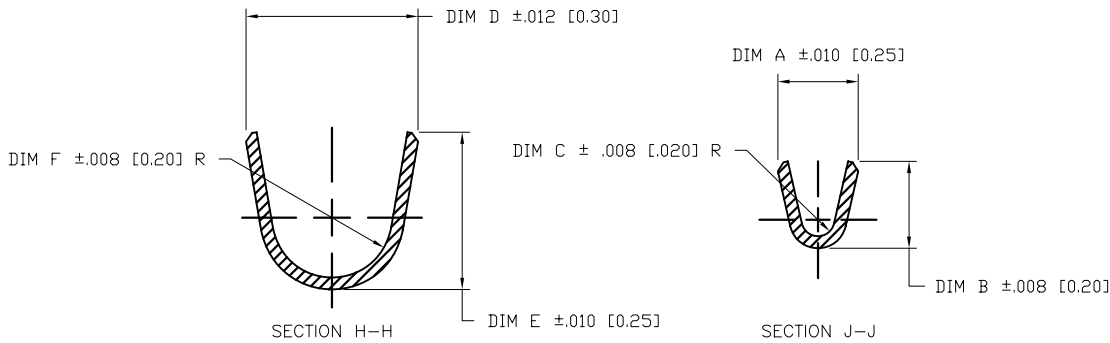


PRODUCT NUMBER  
SEE SHEET 2



mat'l. code SEE NOTE 1				surface <input checked="" type="checkbox"/> tolerance		projection	product family PV TERMINALS	
ltr	ecn no	dr	date	tolerances unless otherwise specified		 INCH/MM	title C.T.W. MALE PIN LOOSE PIECE	
F	V41701	LSS	1994-11-22	angles	$XX \pm .01/XX \pm 3$ $XXX \pm .005/XXX \pm 13$		scale 4:1	dwg no sheet 1 of 2 size
G	V05-0254	HTB	2005-03-18	$0' \pm 2'$	$XXXX \pm .0020/XXX \pm .051$			48115 A4
H	V06-0583	HTB	2006-06-27	$0' \pm 2'$	$XXXX \pm .0020/XXX \pm .051$		type CUSTOMER Drawing	
J	V08-0114	HTB	2008-04-01	dr	L. SANDERS 1994-11-28			
				engr	T. HANNA 1994-11-28			
				chr	T. BREWBAKER 1994-11-28			
				appd	T. HANNA 1994-11-28			
sheet index	revision sheet	J	J					
		1	2					

PRODUCT NUMBER	AWG	DIM A	DIM B	DIM C	DIM D	DIM E	DIM F
48115-000	O B S O L E T E						
48115-000LF	28-32	.054 [1.37]	.058 [1.47]	.011 [0.28]	.115 [2.92]	.105 [2.67]	.040 [1.02]
48116-000	O B S O L E T E						
48116-000LF	22-26	.070 [1.78]	.065 [1.65]	.017 [0.43]	.139 [3.53]	.120 [3.05]	.050 [1.27]
48117-000	O B S O L E T E						
48117-000LF	18-20	.104 [2.64]	.104 [2.64]	.021 [0.53]	.139 [3.53]	.120 [3.05]	.050 [1.27]



NOTE 1  
CONTACT AREA  
SECTION K-K  
SCALE 40:1

NOTES:

- ① MATERIAL: 3/4 HD. BRASS ALLOY 260.
- ② PLATING: ELECTRODEPOSITED GOLD 50u"/1.27u IN CONTACT AREA, REMAINDER GOLD FLASH. UNDERPLATE 50u"/1.27u NICKEL
3. TERMINAL MAY BE USED WITH MINI LATCH HOUSING.
4. APPLICABLE SPECIFICATION:  
A. BUS-12-098 PRODUCT SPECIFICATION.  
B. TA-211 CRIMP SPECIFICATION.
5. PRODUCT MEETS EUROPEAN UNION DIRECTIVES AND OTHER COUNTRY REGULATIONS AS DESCRIBED IN GS-22-008.
6. THIS PRODUCT IS NOT INTENDED TO BE EXPOSED TO MANUFACTURING SOLDER PROCESSES.

mat'l. code		surface		tolerance		projection		product family	
SEE NOTE 1		✓				INCH/MM		PV TERMINALS	
ltr	ecn no	dr	date	tolerances unless otherwise specified				title	
J				angles	inches	mm	C.T.W. MALE PIN LOOSE PIECE		
				0° ±2'	XXX +.01/X+3	XXXX +.005/XX+13	scale 10:1		
					XXX +.0020/XXX+.051		dwg no		
		dr	L. SANDERS	1994-11-28			sheet 2 of 2 size		
		engr	T. HANNA	1994-11-28			48115 A4		
		chr	T. BREWBAKER	1994-11-28			type		
		appd	T. HANNA	1994-11-28			CUSTOMER Drawing		
sheet index	revision sheet								